

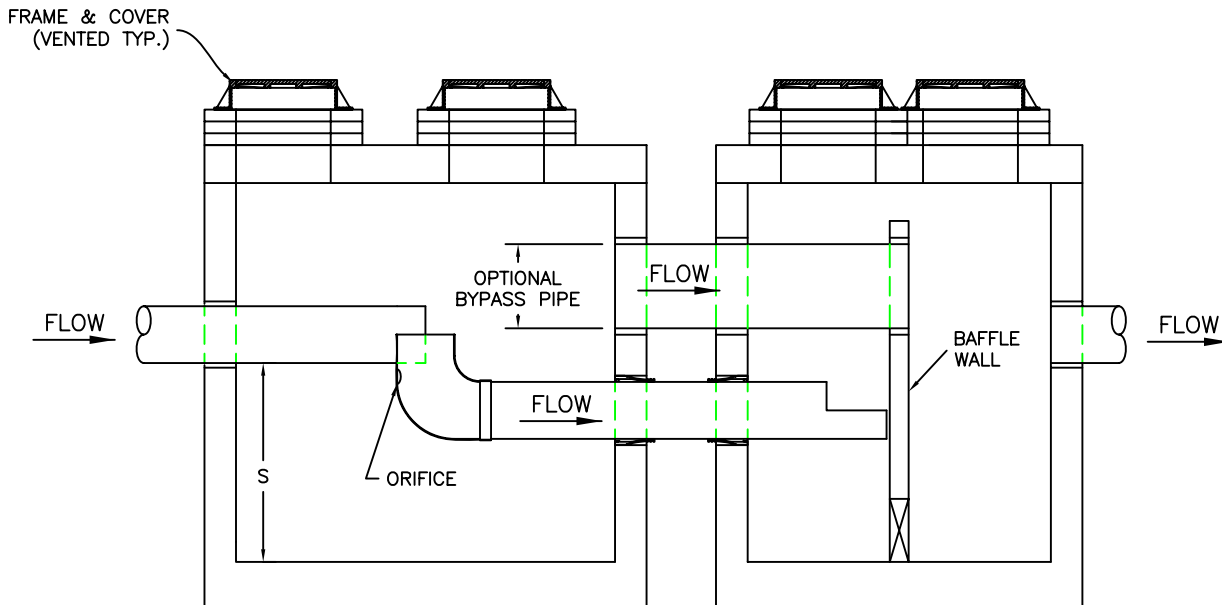
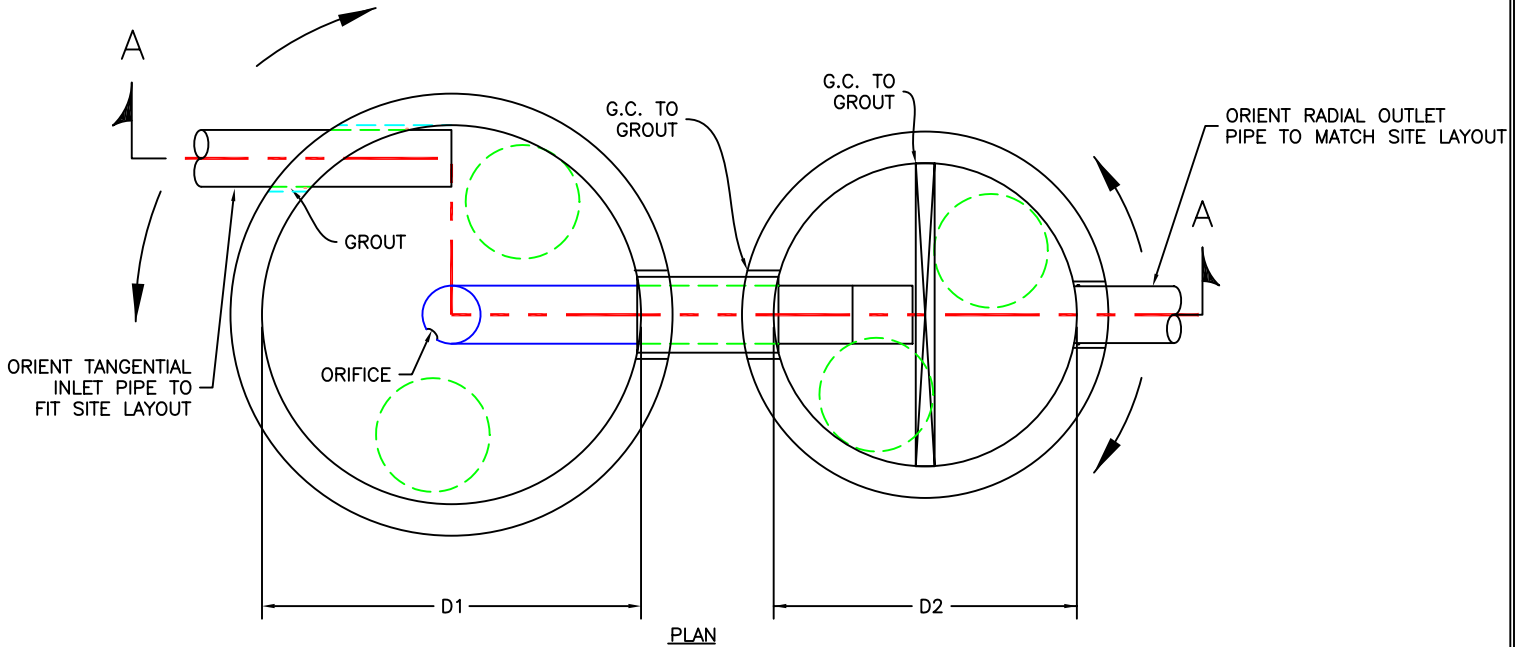
ONLINE SYSTEM / ADAPT TO SITE LAYOUT

DATE: 1-25-08
DWG. NO.: Detail - V2B1

SIZING TABLE						
MODEL #	D1 (ft.)	D2 (ft.)	S (ft.)	IMPERVIOUS AREA (acres)	INLET PIPE (in.)	PEAK FLOW (cfs)
3	4	5	4.1±	0.3 -1.3	12	4
4	5	5	4.4±	1.3-2.0	15	6
6	6	5	4.7±	2.0-3.0	18	7
9	7	5	4.9±	3.0-4.0	21	9
11	8	6	5.1±	4.0-5.3	24	16
17	10	8	5.5±	5.3-8.3	30	25
25	12	8	5.9±	8.3-11.7	36	35

NOTES:

- 1) RAINFALL INTENSITY USED FOR TREATMENT FLOW = SITE SPECIFIC
 - 2) MAXIMUM OPERATING LOSS APPROXIMATELY 0.5 FT
- MANUFACTURING NOTES:**
- 1) DESIGN OF INTERNAL PVC PIPING PROVIDED TO LICENSED MANUFACTURER BY PATENT HOLDER.
 - 2) LOCATION AND SIZE OF MANHOLE OPENINGS MAY BE ADJUSTED BY LICENSED MANUFACTURER.
 - 3) G.C. TO GROUT INLET AND OUTLET PIPES.
 - 4) CONNECT MANHOLES WITH BOOTED CONNECTIONS.



GENERAL NOTES:
 MANHOLE DESIGN SPECIFICATIONS CONFORM TO LATEST A.S.T.M. C478
 SPEC. FOR PRECAST REINFORCED CONCRETE MANHOLE SECTIONS.
 DESIGN LOADING: AASHTO HS20-44

PROPRIETARY PATENTED PRODUCT

C:\Users\Jeffrey.Bentley\Desktop\HPCA - Stormwater-Committee\V2B1-Online-Detail.dwg